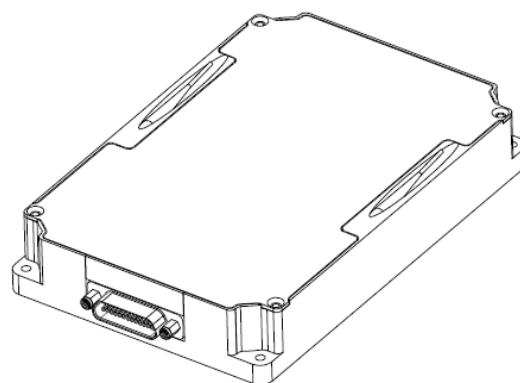


# Space Qualified EDFA

Model Number: **EDFA-CW-C0-VRS-30-30-FCA**

Product Code: **1605**



**Specifications:**

**Doc#: NP-TS-2562, March 13, 2023**

Parameters	Specifications
Wavelength Range	1540 – 1565 nm
Input Power	-10 to +10 dBm
Input Power Monitoring	Included
Gain	30 dB nominal @ 0 dBm input
Signal Output Power	+30 dBm nominal @ 0 dBm input
Input Power Monitoring	-10 to +10 dBm
Output Power Monitoring	+20 dBm to +31 dBm
Input / Output Fiber	SMF-28, 1m length typical
Input / Output Optical Connector	FC/APC
Input / Output Isolator	Provided
Dimension	120 x 80 x 20 mm
DC Power Input	+5 VDC +/- 5%
DC Power Consumption	≤ 14 W @ +50°C Case Temperature, output power +30 dBm
Operating Temperature	-5 to +50 °C, vacuum operation, ≤ 7.5 x 10 <sup>-5</sup> torr (by design)
Control and Communication	RS-232